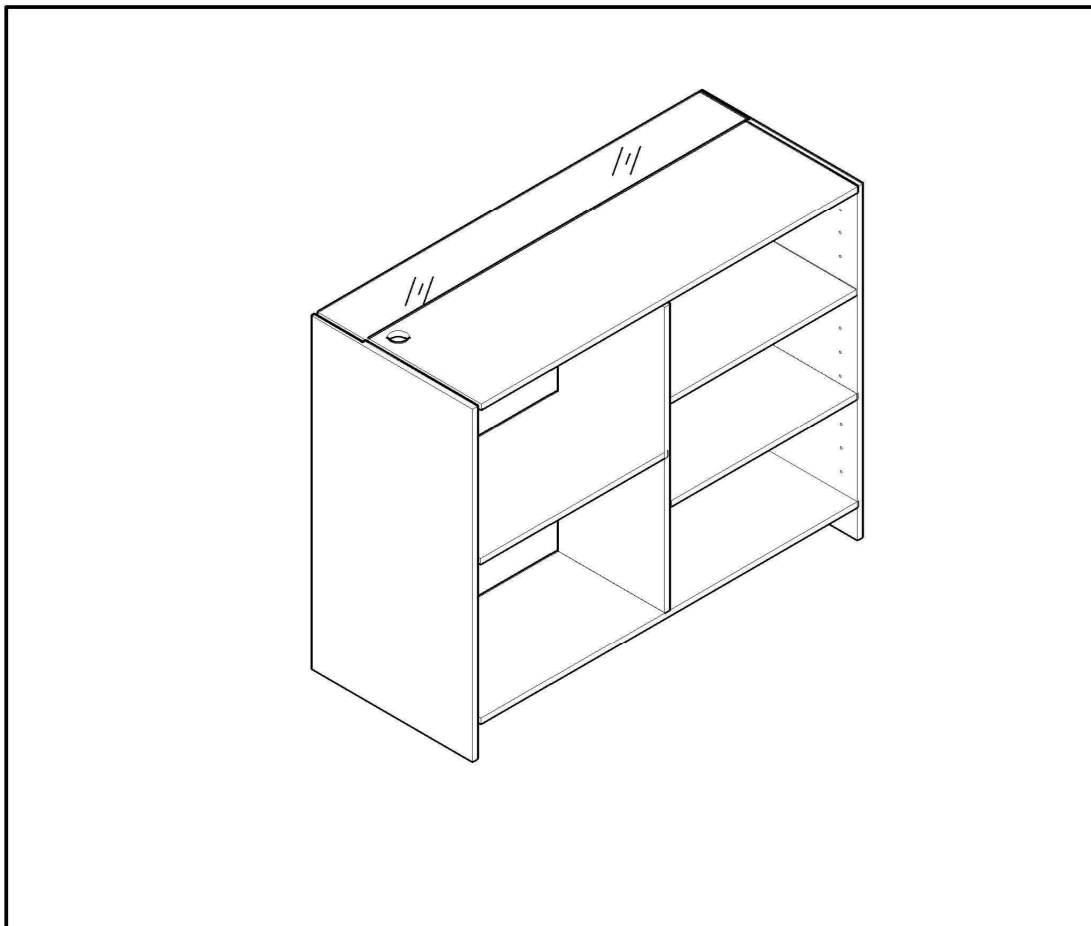


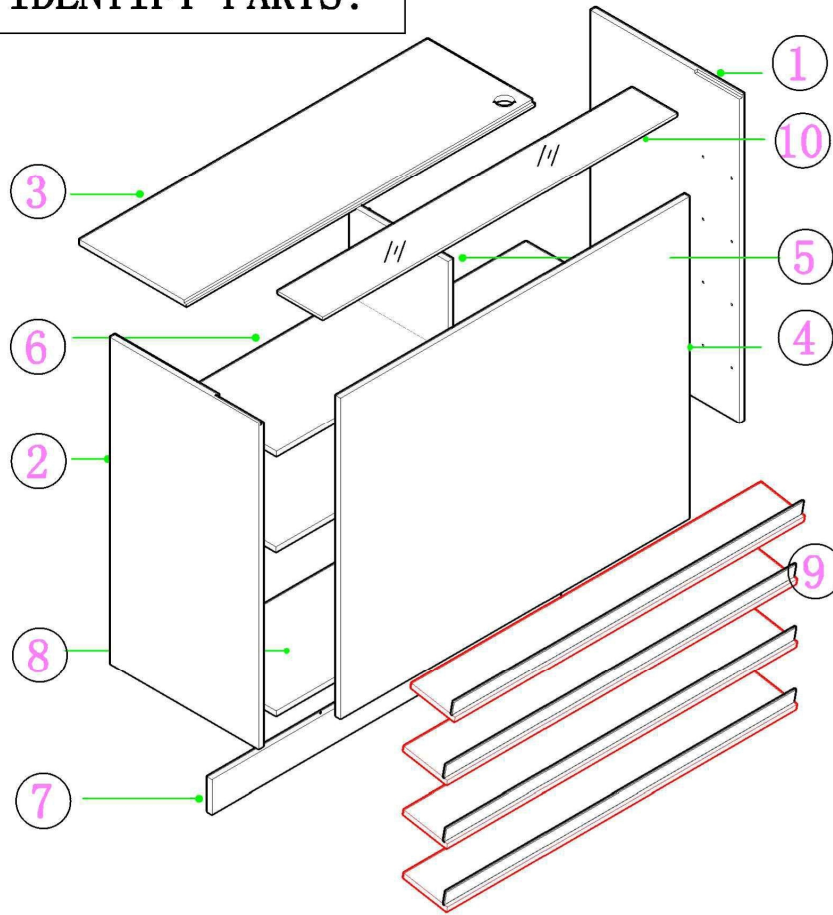
# ASSEMBLY INSTRUCTIONS MANUAL

## POS COUNTER WITH CONFECTIONARY DISPLAY

**SW725-1200G** 1200mm (D) × 600mm (W) × 950mm (H)



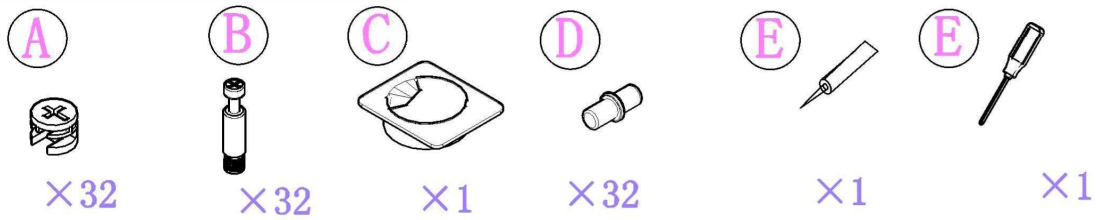
### IDENTIFY PARTS:



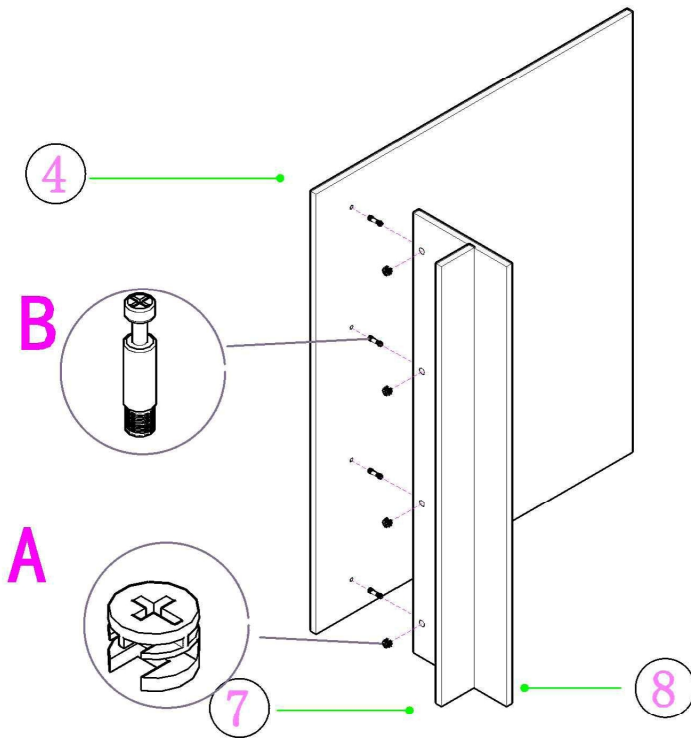
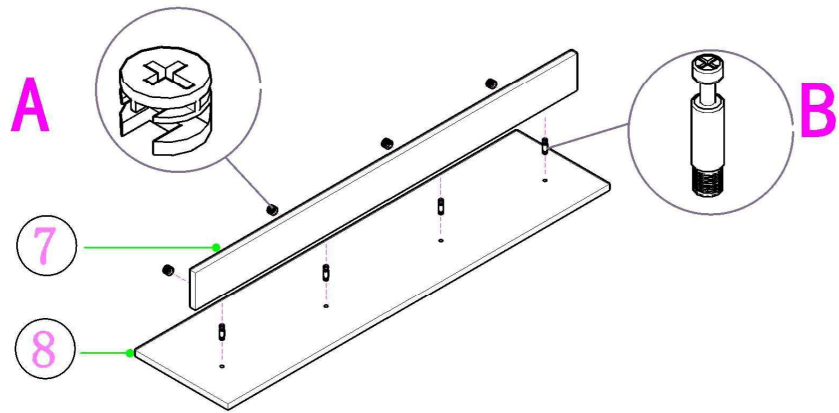
Please check below measurement sizes to identify parts:

Item	Size	Qty
1	950*600*15	1
2	950*600*15	1
3	1170*458*15	1
4	1170*934*15	1
5	819*384*15	1
6	576*381*15	3
7	1170*100*15	1
8	1170*384*15	1
9	1169*198*18	4
10	1186*150*8	1

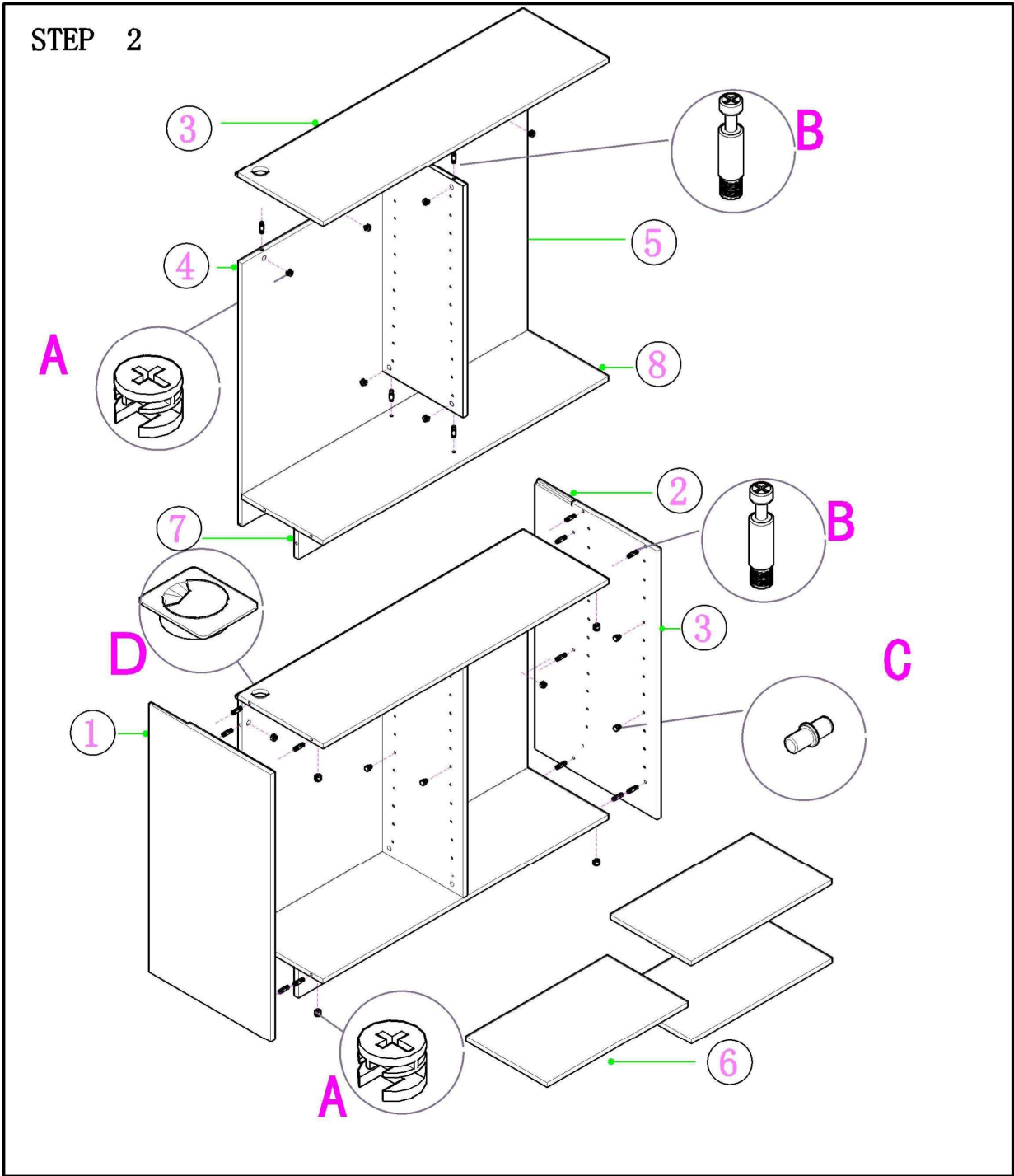
### HARDWARE CONTENTS:



STEP 1



STEP 2



STEP 3

